

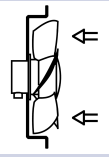


CompAir

S0450 COMPR46_G60W04

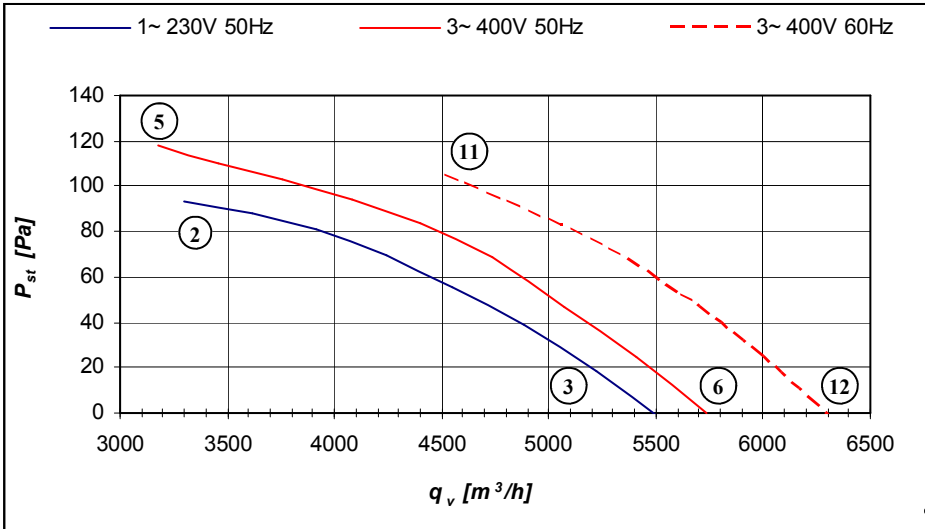
1~ 230V ± 10% 50Hz

3~ 400V ± 10% 50Hz



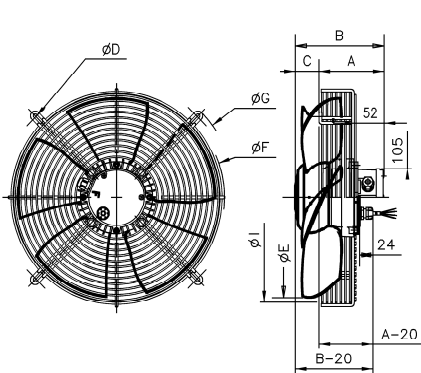
P_1 0.398 kW
 I 1.75 A
 n 1246 min⁻¹
 C_{400V} 8 μF
 t_r 60 °C

P_1 0.434 kW
 I 1.04 A
 n 1341 min⁻¹
 t_r 60 °C

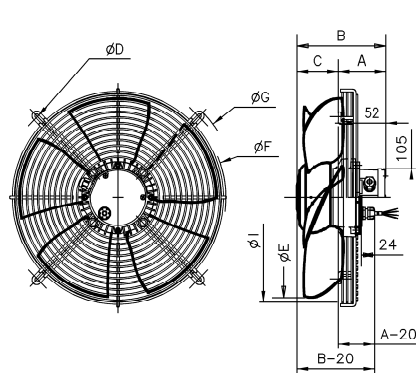


50 Hz	U V	I A	P ₁ W	n min ⁻¹	Lw _A dBA
(2)	230	1.75	373	1246	73
(3)	230	1.51	326	1340	76
(5)	400	1.04	434	1341	76
(6)	400	0.98	343	1389	78

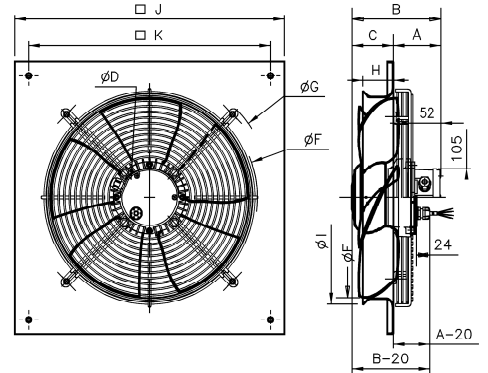
60 Hz	U V	I A	P ₁ W	n min ⁻¹	Lw _A dBA
(8)	230	-	-	-	-
(9)	230	-	-	-	-
(11)	400	1.10	554	1481	79
(12)	400	1.01	484	1533	81



Type A



Type B



Type C

Dimensions [mm]	A	B	C	D	E	F	G	H	I	J	K		
Type A	148	188	40	522 / 530	450	505	553	-	487	-	-	M8	7.5 kg
Type B	87	188	101	522 / 530	450	494	557	-	476	-	-	M8	7.5 kg
Type C	87	188	101	522 / 530	450	494	557	90	476	576	535	M8	10.4 kg

Type A			
	1 ~ 230V 50 Hz	029541	030523
	3 ~ 400V 50/60 Hz	029386	030522
	1 ~ 230V 50 Hz	029544	029920
	3 ~ 400V 50/60 Hz	029543	029865

Type B			
	1 ~ 230V 50 Hz	030680	030704
	3 ~ 400V 50/60 Hz	030679	030703
	1 ~ 230V 50 Hz	030678	030702
	3 ~ 400V 50/60 Hz	030677	030701

Type C			
	1 ~ 230V 50 Hz		
	3 ~ 400V 50/60 Hz		
	1 ~ 230V 50 Hz		
	3 ~ 400V 50/60 Hz		