

New perspectives with
Danfoss Saginomiya Fan Speed Controllers

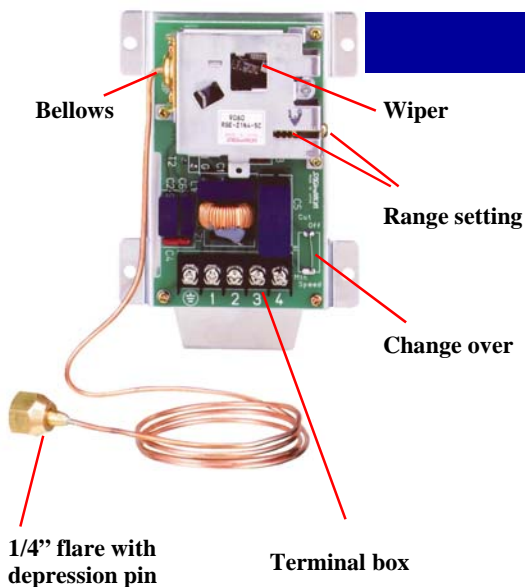


Simple and efficient



- Single and three phase versions
- “All in one” : pressure sensor and fan speed control
- reliable sensing mechanism using bellows
- Simple to install and easy setting
- Multi-refrigerants : R22/ R407C/ R404A/R134a and R410A.
- CE/ EMC approved

APPLICATION, OPERATION AND WIRING



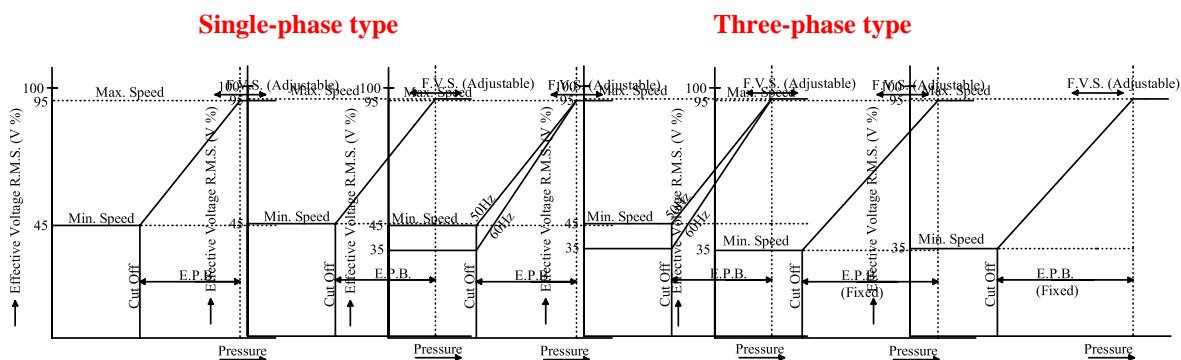
Turning the adjusting screw clockwise will increase the setting point, while turning it anti-clockwise will cause a decrease.

Cut off: A decrease to the Min. Speed will stop the fan motor
Min. Speed: The fan motor will continue to operate at Min. Speed when the pressure rises to E.P.B or more.

The RGE controls the speed of the condenser fan in refrigeration and air conditioning units that work all year long. It keeps the condensing pressure at a steady level by changing the speed of the fan according to the required condensing pressure.

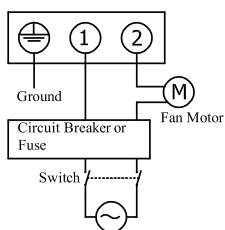
Advantages

- All RGE models operate at low current down to 0,2A, allowing versatile operation and use.
- The pressure connection of the RGE can be made either before or after the condensor providing more installation options and flexibility.
- The new 2A single phase version.....

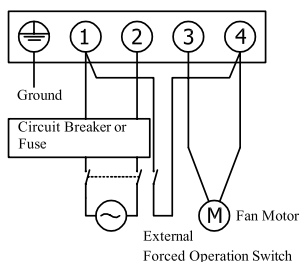


The operating characteristics may vary according to voltage, frequency, and fan motor characteristics

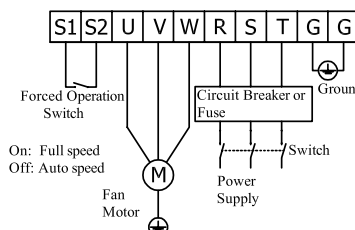
2A single-phase type



4A, 6A, 8A single-phase type



Three-phase type



For external forced operation switch please contact us. Use a forced operation switch with non-voltage contact signal

TECHNICAL DATA



Single-phase versions 2-8 A

Code number	Catalog No.	Factory set [bar]	Refrigerant	Adjusting range* [bar]	Proportional band** [bar]	Ampere	Power supply	Ambient temp. [°C]	Function
061H3044	RGE-Z1L2-5	11	R134a	8-28	4	0,2-2A	230V 50Hz	-20 to 50	1
061H3045	RGE-Z1L4-5	19	R22, R407C, R404C						
061H3048	RGE-Z1L6-5	32	R410A						
061H3002	RGE-Z1N2-5	11	R134a	8-28	4	0,2-4A	230V 50Hz		1
061H3017	RGE-Z1N2-6						230V 60Hz		
061H3005	RGE-Z1N4-5	19	R22, R407C, R404C	16-39	8		230V 50Hz		
061H3014	RGE-Z1N4-6						230V 60Hz		
061H3021	RGE-Z1N6-5	32	R410A	8-28	4	230V 50Hz	2		
061H3024	RGE-Z1N6-6					230V 60Hz			
061H3007	RGE-Z1P2-5	11	R134a	8-28	4	0,2-6A	230V 50Hz		1
061H3015	RGE-Z1P2-6						230V 60Hz		
061H3008	RGE-Z1P4-5	19	R22, R407C, R404C	16-39	8		230V 50Hz		
061H3018	RGE-Z1P4-6						230V 60Hz		
061H3022	RGE-Z1P6-5	32	R410A	8-28	4	230V 50Hz	2		
061H3025	RGE-Z1P6-6					230V 60Hz			
061H3004	RGE-Z1Q2-5	11	R134a	8-28	4	0,2-8A	230V 50Hz	1	
061H3019	RGE-Z1Q2-6						230V 60Hz		
061H3009	RGE-Z1Q4-5	19	R22, R407C, R404C	16-39	8		230V 50Hz		
061H3020	RGE-Z1Q4-6						230V 60Hz		
061H3023	RGE-Z1Q6-5	32	R410A	8-28	4	230V 50Hz	2		
061H3026	RGE-Z1Q6-6					230V 60Hz			

Three-phase versions 5-7 A

Code number	Catalog No.	Factory set [bar]	Refrigerant	Adjusting range* [bar]	Proportional band** [bar]	Ampere	Power supply	Ambient temp. [°C]	Function
061H3016	RGE-Z3R2-7	11	R134a	8-28	4	0,2-5A	200V 50/60Hz	-20 to 50	3
061H3010	RGE-X3R2-7						400V 50/60Hz	-15 to 50	
061H3003	RGE-Z3R4-7	16	R22, R407C, R404A				200V 50/60Hz	-20 to 50	
061H3006	RGE-X3R4-7						400V 50/60Hz	-15 to 50	
061H3027	RGE-Z3R6-7	32	R410A	16-39	8	200V 50/60Hz	-20 to 50		
061H3028	RGE-X3R6-7			400V 50/60Hz	-15 to 50				
061H3049	RGE-Z3T2-7	11	R134a	8-28	4	0,2-7A	200-240V 50 or 60hz	-15 to 50	
061H3050	RGE-Z3T4-7	16	R22, R407C, R404A						
061H3051	RGE-Z3T6-7	32	R410A						

NOTE: For equivalent models R404A and R134a the only difference is the factory setting

* The pressure at which the control delivers 95% output effective power supply (VRMS)

** Proportional pressure band where effective voltage corresponds with the minimum speed or causes cut-off operation

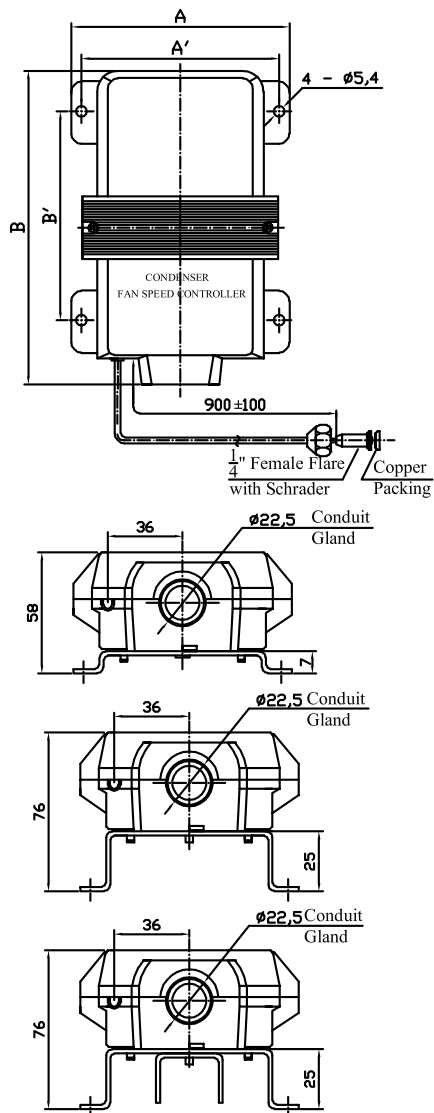
Function 1: At approximately 45% Cut-off or Minimum Speed function is selectable with changeover switch. Default setting: Cut Off
 Function 2: At approximately 45% (200V, 50Hz), at approx. 35% (200V, 60Hz) Cut-off or Minimum Speed function is selectable with changeover switch. Default setting: Cut Off

Function 3: At approximately 35% Cut-off or Minimum Speed function is selectable with changeover switch.



NEW 2 AMP VERSION

Single-phase type



Three-phase type

