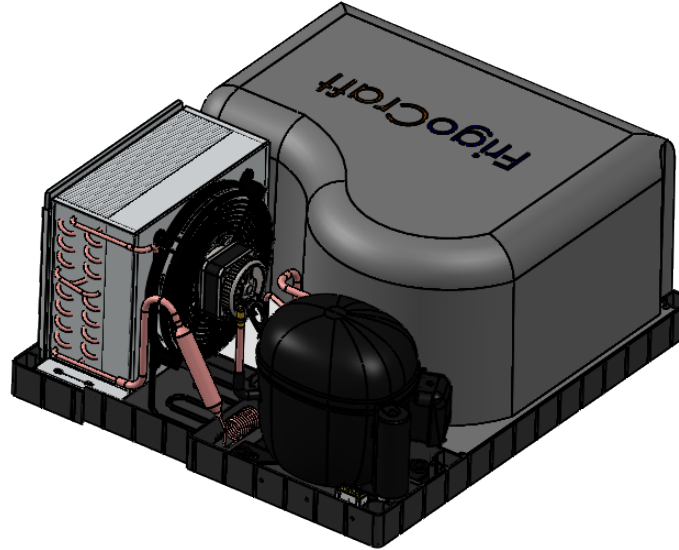
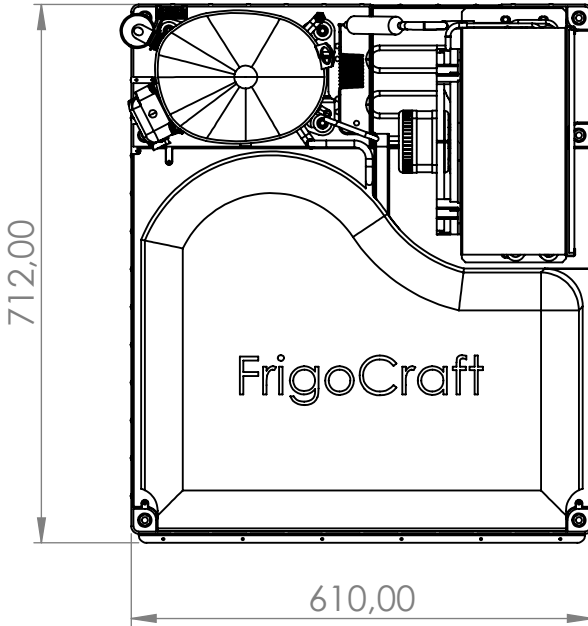
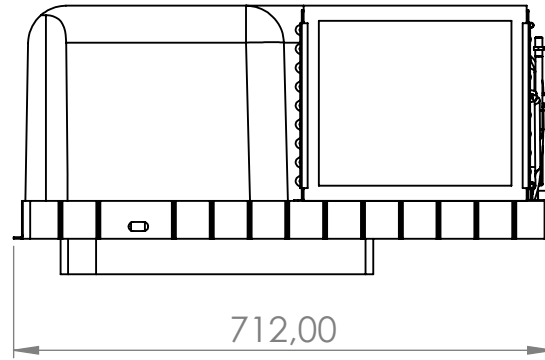
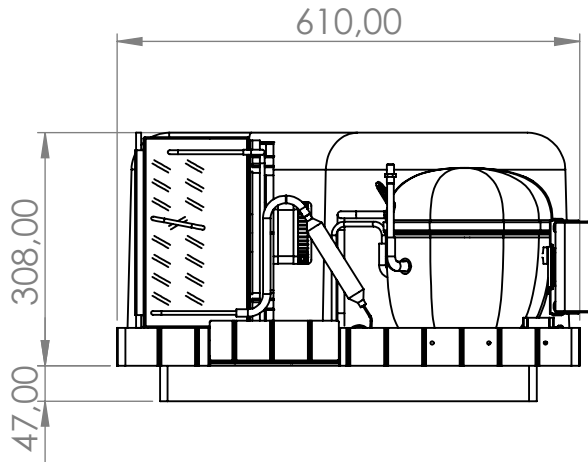


FrigoCraft M140-DM1.SQ4123.EM3140U.EP5



TECHNICAL FEATURES	
Production Facility	Turkey
Brand	FrigoCraft
Type of casing	Monoblock
Application	-10/45°C EN12900 /20K-SH
Operating Temperature	-2° / +8°C
Refrigerant	R-290
Cabinet Volume (Liter)	1.400 L
Cooling Capacity (Watts) ('-10/+45°C)	728
Energy Efficiency (COP)	2,30
Net Weight (Kg)	18
Compressor Brand	Embraco
Compressor Type	Reciprocating
Power Supply (V / Ph / Hz)	220V/1 Ph/ 50 hz
Base Material	PP
Evaporator Cover Material	EPS 32Kg/m3
Hole Measures	414 x 498 mm
Dimensions	610 x 712 x 308(h) mm
Pressure balance valve	Included
Defrost Type	Electrical Defrost

PRODUCT
FrigoCraft M140-
DM1.SQ4123.EM3140U.EP5
MATERIAL



STOCK CODE

FM.30.006