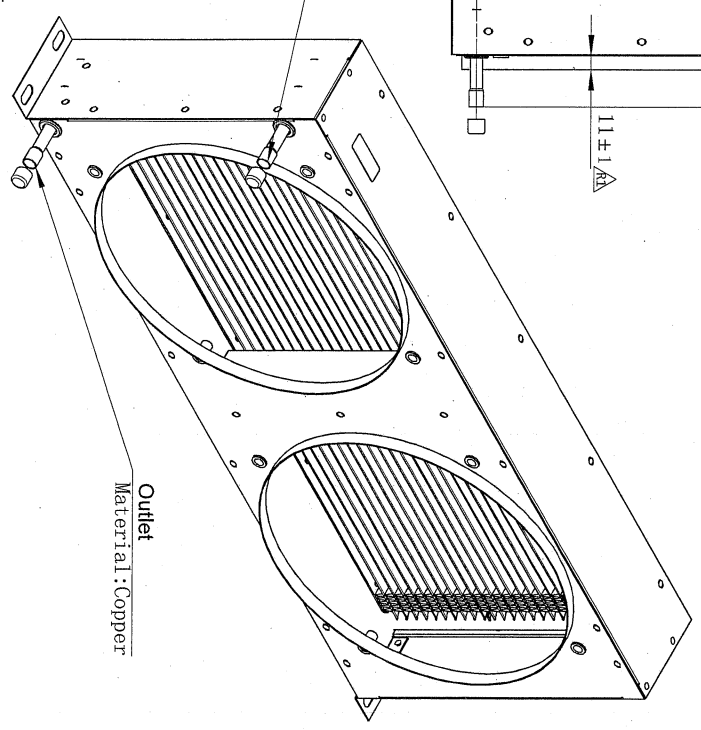
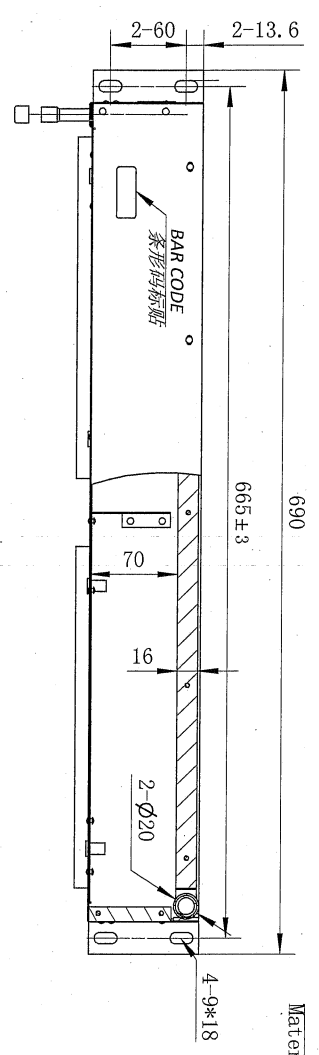
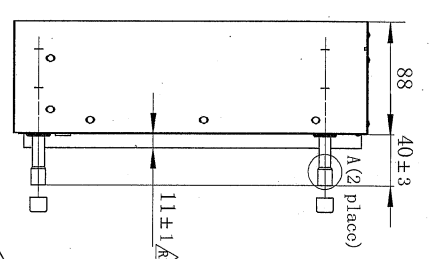
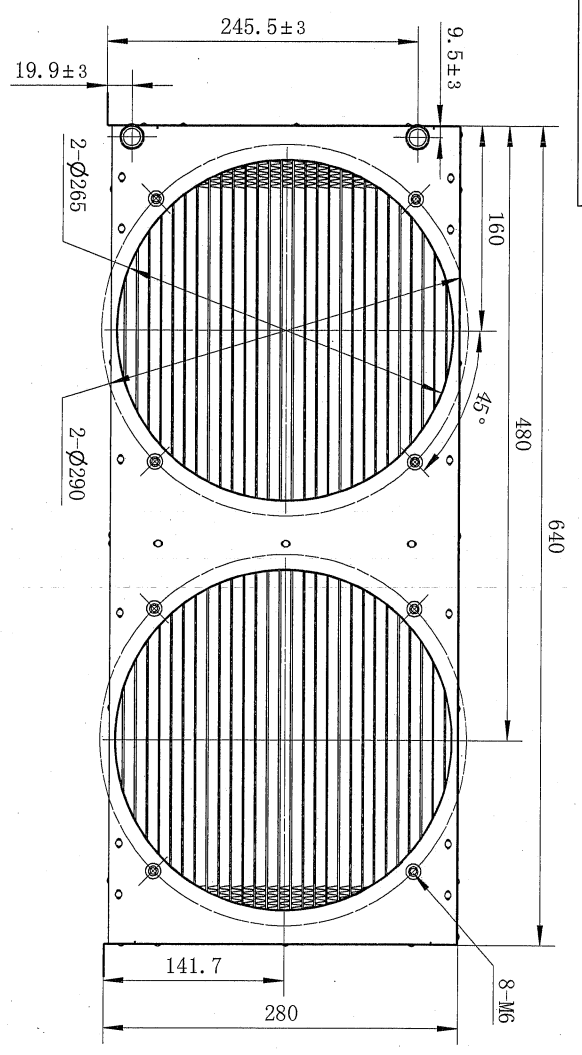
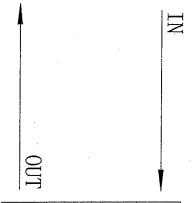
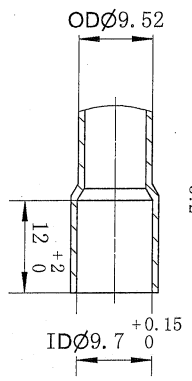


91005621  
9103-100X



A(2 place)  
3:2



回路示意图  
DISTRIBUTION

|    |
|----|
| 10 |
| 8  |
| 6  |
| 4  |

TECHNICAL REQUIREMENT:  
1.翅片FPI=12.7;  
FPI=12.7;  
2.扁管规格:16\*1.3\*16,材料:AA3102;  
TUBE:16\*1.3\*16, Material: AA3102;  
3.翅片规格: 0.08\*16, 高度: 8.1;  
FIN:0.08\*16, FIN HEIGHT:8.1;  
4.进出口管为铜管;  
INLET AND OUTLET PIPES ARE COPPER TUBES;

签字  
Sign

图纸客户确认栏  
Customer Approve

Condenser

| 未注线性尺寸公差/Unmarked Linear Tolerance | 未注角度公差/Unmarked Angle Tolerance |
|------------------------------------|---------------------------------|
| <6 ±0.1                            | <6 ±1.5                         |
| 6~30 ±0.15                         | 6~30 ±2                         |
| 30~100 ±0.2                        | 30~100 ±3                       |
| 100~300 ±0.3                       | 100~300 ±4                      |
| 300~1000 ±0.4                      | 300~1000 ±5                     |
| >1000 ±0.5                         | >1000 ±6                        |

|        |         |        |         |   |
|--------|---------|--------|---------|---|
| 审核/ENG | 日期/Date | 批准/ARR | 日期/Date | Sanhua (Shanghai) Micro Channel Heat Exchanger Co., Ltd |
| 设计/CHK | 日期/Date | 校核/CHK | 日期/Date |   |
| 工艺/MEC | 日期/Date | 工艺/MEC | 日期/Date |   |

|          |             |
|----------|-------------|
| 比例/Scale | 1:4         |
| 版本/Rev.  | 01          |
| 页码/Sheet | 第 1 页 共 1 页 |
| 图号/Draw  | X001-EU16   |
| 图例/Code  | 12950016    |

|         |   |           |          |
|---------|---|-----------|----------|
| 记录号/Rev | 1   | 更改文件号/Rev |          |
| 描述/Desc | 风罩翻边高度更改/Change of windshield flanging height |           |          |
| 签字/Sign | 廖黄晖   | 日期/Date   | 20200622 |