

# FB

for single phase alternating current, 6 pole

FBO50-6E



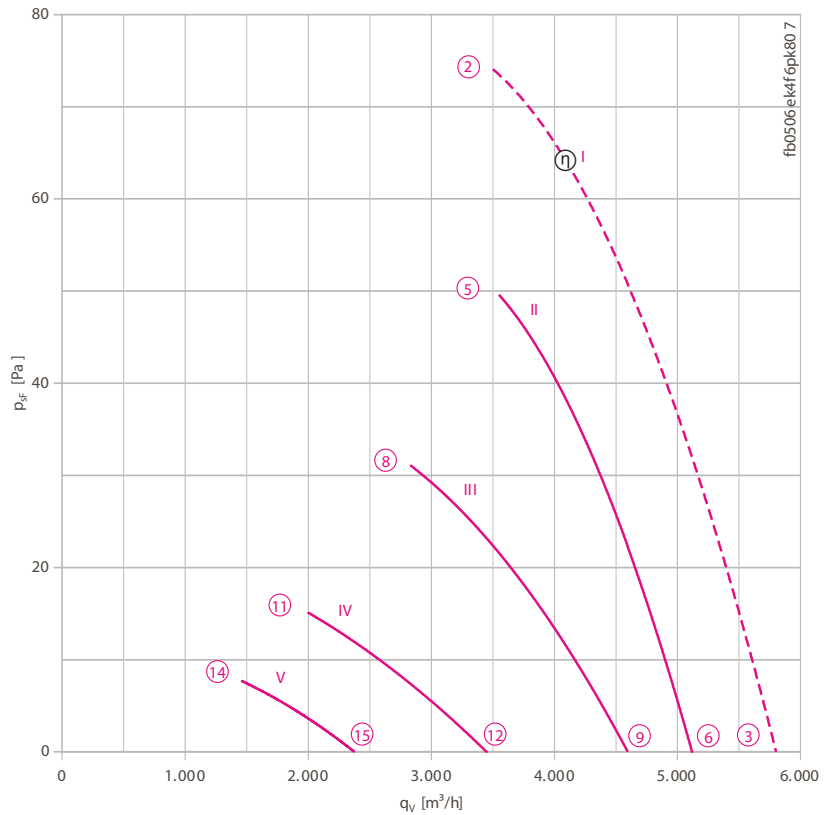
### Description

Motor technology: AC  
 Rated voltage  $U_N$ : 1~ 230 V $\pm$ 10 %\*  
 Rated frequency  $f_N$ : 50 Hz\*  
 Motor input power  $P_1$ : 0.29 kW\*  
 Rated current  $I_N$ : 1.30 A\*  
 Rated speed  $n_N$ : 920 min<sup>-1</sup>\*  
 Starting current  $I_s$ : 2.20 A  
 Current increase  $\Delta I$ : 0 %  
 Service capacitor  $C_{400V}$ : 8.0  $\mu$ F  
 Thermal class: **THCL155**\*  
 Min. permitted conveyor temperature  $t_{R(min)}$ : -25 °C  
 Max. permitted conveyor temperature  $t_{R(max)}$ : 70 °C  
 Electrical connection: Terminal box  
 Number of blades: 4  
 Protection class: IP54  
 Motor protection: Thermal contact  
 Blades: Aluminium, uncoated  
 Rotor: Aluminium, uncoated  
 Conformity: ErP 2013, CE

### ErP Data

Efficiency  $\eta_{statA}$ : 27.1 %  
 Efficiency:  $N_{actual} = 37.4 / N_{target} = 36$ \*\*  
 \* Rated data  
 \*\*ErP 2013

### Characteristic curve



I) Measured in full bell mouth without guard grille in installation type A according to ISO 5801.  
 II-x) Measured in short-bell mouth with compressed side contact protection.

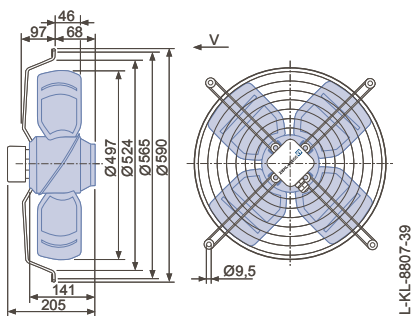
➤ Connection diagram 1360-104XA Page 608

➤ System components Page 524

### Dimensions [mm]



Design K - axial bolted, mounted for short bell mouth E



### Performance data


Type	Characteristic curve	Voltage	Operating point	Current	Motor input power	Speed	Suction side sound power level $L_{WAS}$ [dB]
		U [V]		I [A]	$P_1$ [W]	n [min <sup>-1</sup> ]	
FB050-6E_4F.V4P	I	230*	②	1.25*	280*	870*	
		230	③	0.96	210	930	69
	II	230	⑤	1.05	230	910	69
		230	⑥	0.92	200	930	68
	III	160	⑧	1.15	170	740	63
		160	⑨	0.96	145	830	65
	IV	130	⑪	1.10	125	490	57
		130	⑫	1.05	120	630	58
	V	105	⑭	0.90	83	370	
		105	⑮	0.89	82	440	

\*rated data

### Fan ordering information

**Airflow direction V**

Design K



**Type** FB050-6EK.4F.V4P  
**Article no.** 124190

Weight [kg] 9.50

### Control technology

<p>Frequency inverter Fcontrol 1~</p>  <p>➤ Page 552</p>	<p>Motor protection units 1~</p>  <p>➤ Page 596</p>	<p>Transformer-based controllers 1~</p>  <p>➤ Page 587</p>	<p>Electronic voltage controllers 1~</p>  <p>➤ Page 562</p>
---	--	---	---