

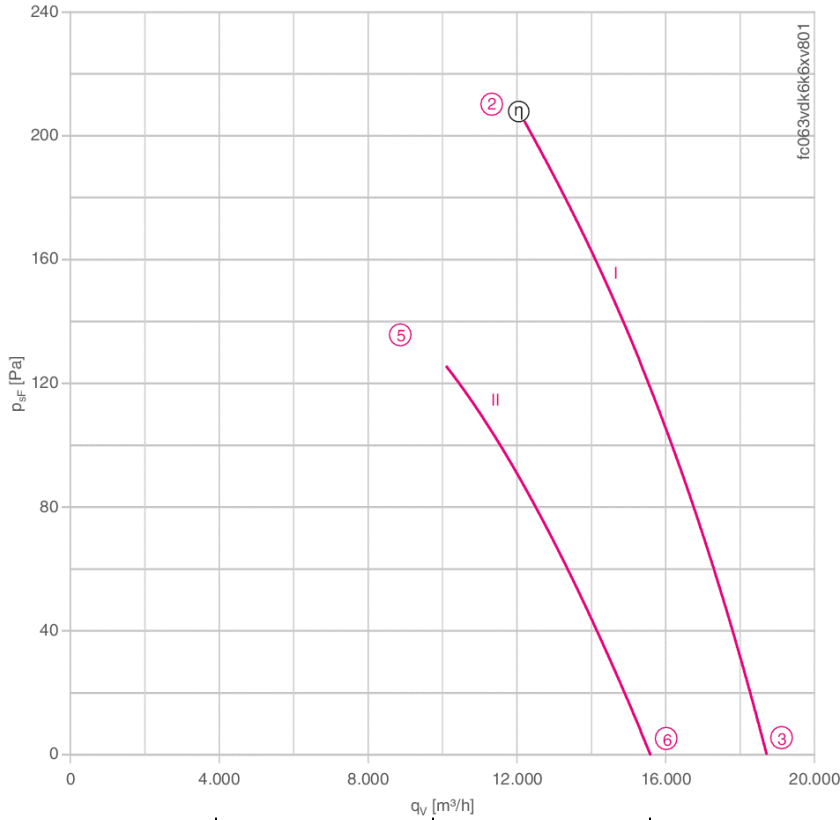
1. Product specification

Technical data

Article number	123995
Type	FC063-VDQ.6K.V7
Designation	Axial fan with diecast blades
Rated values	3~400V±10% D/Y 50Hz P ₁ 1.90/1.35kW 3.20/ 2.20A ΔI=15% 1340/1070/min COSY 0,86 60°C
Electrical connection	Terminal box K62
Min. operating temperature °C	-40
Mounting type terminal box	Mounted on Stator
Type of protection	IP54
Thermal class	THCL155
Connection diagram	1360-108XA
Rating plate	1x fixed
Fitting position	H/Vu/Vo
Motor protection	thermal contact
Impregnation	Moisture and hot climate protection
Quality of bearings	ball bearing with long-time lubrication
Material Rotor	Aluminium
Painting rotor	Rotor 1 coat painted
colour rotor	RAL 9005 (jet black)
Material blades	aluminium
Painting impeller	1 coat painted
Colour blades	RAL 9005 (jet black)
Painting pipe	Bell mouth 1 coat paint
Colour pipe	RAL 9005 (jet black)
Painting mot.suspens	Motor suspension 1 coat paint
colour suspension	RAL 9005 (jet black)
Weight kg	34,20
ErP Data	Efficiency η_{statA} : 37.2 % Efficiency: $N_{\text{actual}} = 41.8 / N_{\text{target}} = 40^*$ *ErP 2015

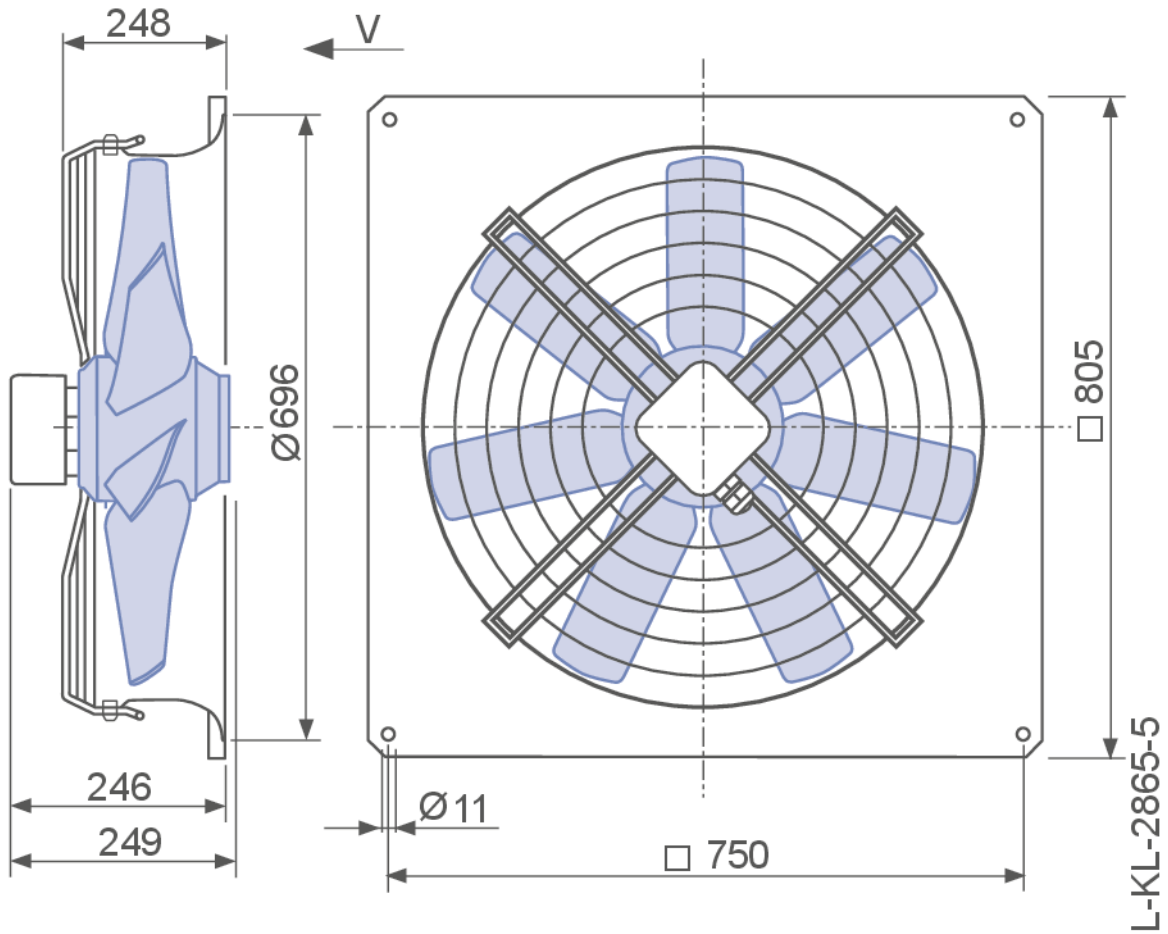
2. Characteristic curve

Frequency: 50 Hz



Operating point		②	③	⑤	⑥
Characteristic curve		I	I	II	II
Connection		Δ	Δ	Y	Y
Voltage	V	400	400	400	400
Motor input power	W	1900	1650	1350	1240
Current	A	3,20	2,90	2,20	2,00
Speed	min ⁻¹	1340	1380	1070	1150
Suction side sound power level	dB(A)	90	90	84	86

3. Drawing



Dimensions in mm
Shown drawing is just to show the dimensions of the fan.