









Performance data

Type	Characteristic curve	Voltage	Operating point	Current	Motor input power	Speed	Suction side sound power level $L_{WAS}$ [dB]
		U [V]		I [A]	$P_1$ [W]	n [min <sup>-1</sup> ]	
FN035-4E_OF_7P2	I	230	①	1.20	270	1370	
		230*	②	1.05*	230*	1410*	72
		230	③	0.98	210	1430	72
	II	170	④	1.35	220	1190	
		170	⑤	1.05	180	1310	71
		170	⑥	0.90	150	1360	71
	III	135	⑦	1.35	180	810	
		135	⑧	1.20	160	1040	65
		135	⑨	1.00	140	1220	68
	IV	110	⑩	1.15	120	570	
		110	⑪	1.15	120	700	56
		110	⑫	1.10	120	900	62

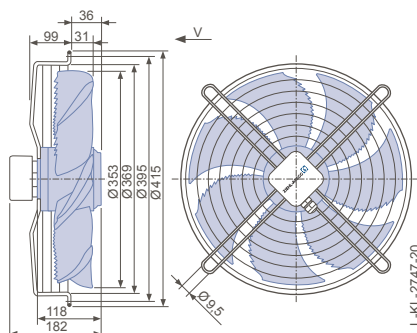
\*rated data

Fan ordering information

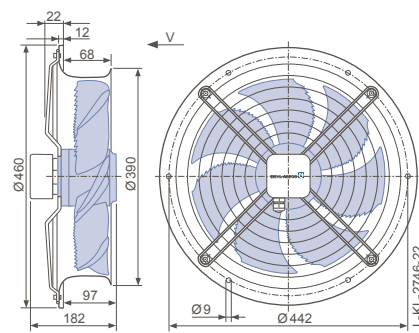
Design	Airflow direction A			Airflow direction V		
	W	D	L	K	H	I
						
<b>Type</b>	FN035-4EW.OF.A7P2	FN035-4ED.OF.A7P2	FN035-4EL.OF.A7P2	FN035-4EK.OF.V7P2	FN035-4EH.OF.V7P2	FN035-4EI.OF.V7P2
<b>Article no.</b>	155879	155877	155878	155883	155882	155881
<b>Weight [kg]</b>	5.10	4.80	6.80	5.30	6.80	4.70

Airflow direction V

Design K - axial bolted, mounted for short bell mouth E



Design H - pipe sockets with a flange



Design I - axial bolted, mounting for bell mouth flange for pipe socket H or full bell mouth Q or L

