

FE2owlet

for single phase alternating current, 4 pole

FNO40-4E



Description

Motor technology: AC
 Rated voltage U_N : 1- 230 V±10 %*
 Rated frequency f_N : 50 Hz* (60Hz data available)
 Input power P_i : 240 W*
 Rated current I_N : 1.05 A*
 Rated speed n_N : 1340 min⁻¹*
 Starting current I_s : 2.40 A
 Current increase ΔI : 15 %
 Service capacitor C_{400V} : 5.0 µF
 Thermal class: **THCL155***
 Min. permitted ambient temperature $t_{R(min)}$: -25 °C
 Max. permitted ambient temperature $t_{R(max)}$: 65 °C
 Electrical connection: Terminal box
 Number of blades: 7
 Protection class: IP54
 Motor protection: thermal contact
 Blades: High Performance Composite Material, uncoated,
 Rotor: Aluminium, 1 coat paint, jet black
 Conformity: ErP 2015, CE

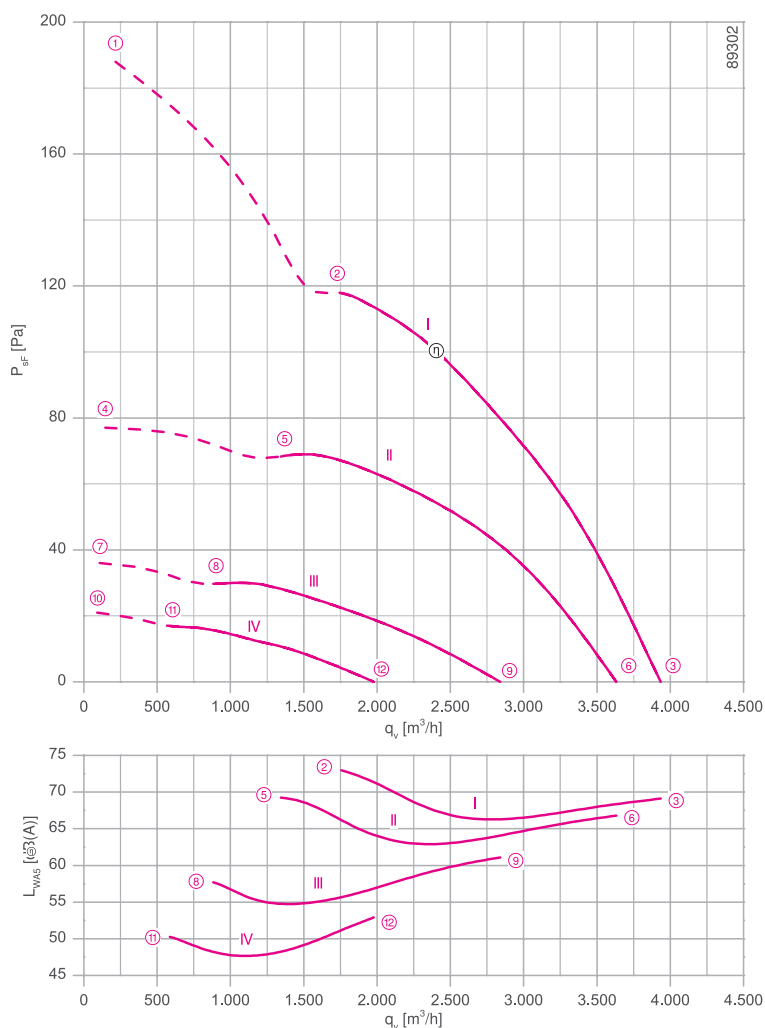
ErP-data

Efficiency η_{statA} : 31.1 %
 Efficiency: $N_{actual} = 41.3 / N_{target} = 40$ **
 * Rated data
 **ErP 2015

Connection diagram Page 531
 for airflow direction A 1360-104XB
 for airflow direction V 1360-104XA

System components Page 430

Characteristic curve

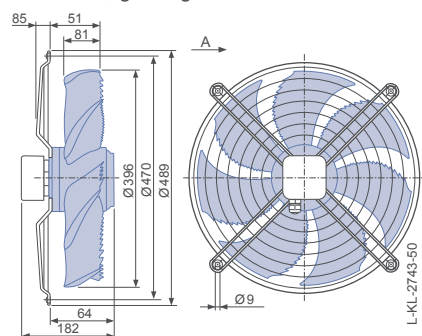


Measured in full bell mouth without guard grille in installation type A according to ISO 5801

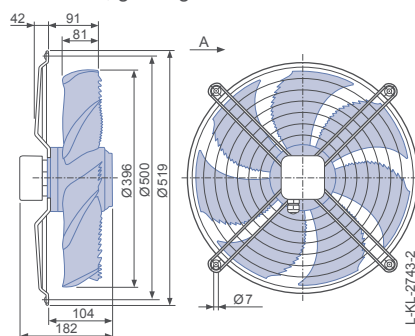
Dimensions mm

Airflow direction A

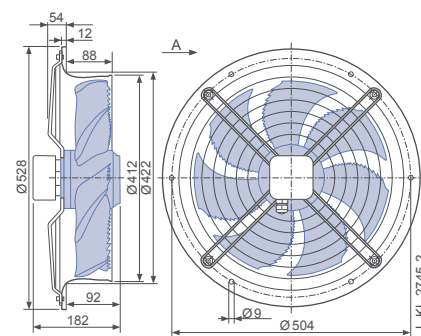
Design W - axial bolted, mounting for short bell mouth, guard grille suction side



Design D - axial bolted, suspension for full bell mouth, guard grille suction side



Design L - round full bell mouth, guard grille suction side



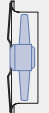


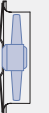


Performance data

Type	Characteristic curve	Voltage	Operating point	Current	Input power	Speed	Suction side sound power level
		U V		I A	P ₁ W	n min ⁻¹	L _{WAS} dB(A)
FN040-4E_OF_7P1	I	230	①	1.30	300	1260	
		230*	②	1.05*	240*	1340*	73
		230	③	0.80	180	1410	69
	II	170	④	1.35	220	810	
		170	⑤	1.20	200	1030	69
		170	⑥	0.86	150	1310	67
	III	135	⑦	1.10	150	550	
		135	⑧	1.10	140	690	57
		135	⑨	0.96	130	1020	61
	IV	110	⑩	0.94	100	430	
		110	⑪	0.92	95	510	50
		110	⑫	0.88	95	710	53

*rated data

Fan ordering information

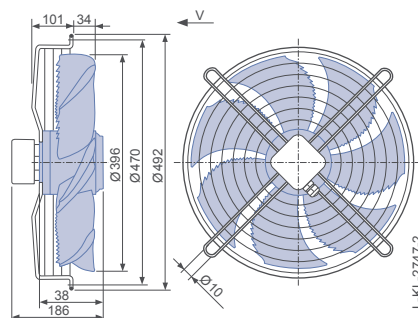
	Airflow direction A			Airflow direction V		
Design	W (guard grille suction side)	D (guard grille suction side)	L (guard grille suction side)	K (guard grille pressure side)	I (guard grille pressure side)	H (guard grille pressure side)
						
Type Article no.	FN040-4EW.OF.A7P1 156650	FN040-4ED.OF.A7P1 152722	FN040-4EL.OF.A7P1 152723	FN040-4EK.OF.V7P1 152728	FN040-4EI.OF.V7P1 152726	FN040-4EH.OF.V7P1 152727
Weight kg	5.60	5.10	7.80	5.50	5.10	7.80

Control technology

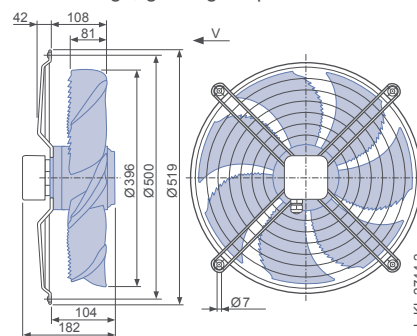
	Frequency inverters Control 1~	Motor protection units 1~	Electronic voltage controllers 1~
			
Page 474	Page 518	Page 492	

Airflow direction V

Design K - axial bolted, mounted for short bell mouth, guard grille pressure side



Design I - axial bolted, mounting for bell mouth flange, guard grille pressure side



Design H - pipe sockets with a flange, guard grille pressure side

