

# FE2owlet

for single phase alternating current, 6 pole

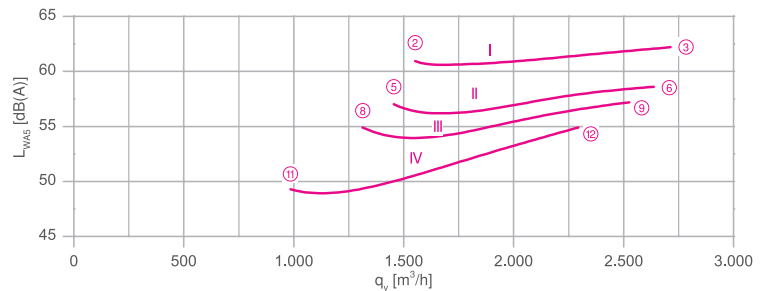
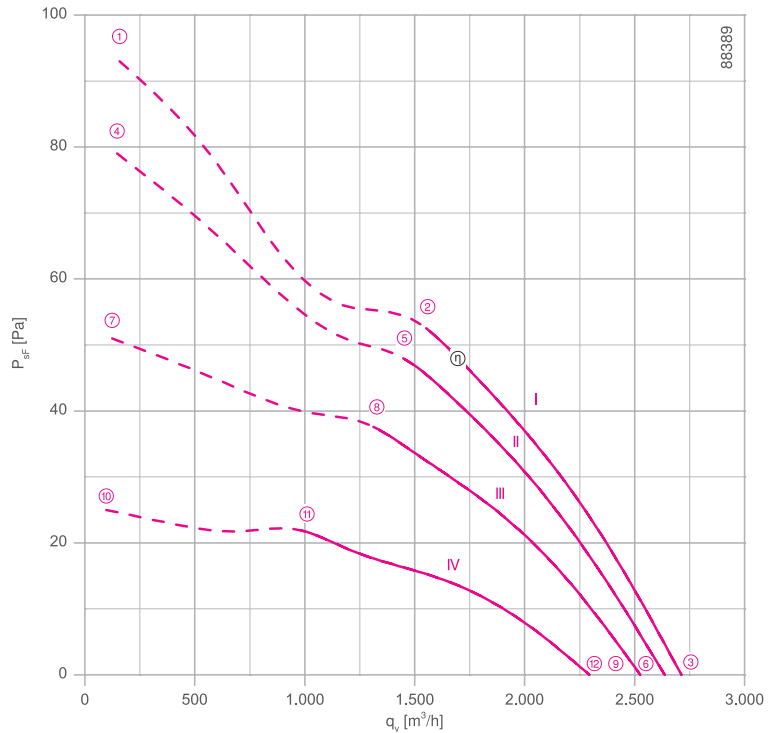
FNO40-6E



### Description

Motor technology: AC  
 Rated voltage  $U_N$ : 1~ 230 V $\pm$ 10 %\*  
 Rated frequency  $f_N$ : 50 Hz\* (60Hz data available)  
 Input power  $P_i$ : 130 W\*  
 Rated current  $I_N$ : 0.60 A\*  
 Rated speed  $n_N$ : 950 min<sup>-1</sup>\*  
 Starting current  $I_s$ : 1.20 A  
 Current increase  $\Delta I$ : 0 %  
 Service capacitor  $C_{400V}$ : 5.0  $\mu$ F  
 Thermal class: THCL155\*  
 Min. permitted ambient temperature  $t_{R(min)}$ : -25 °C  
 Max. permitted ambient temperature  $t_{R(max)}$ : 70 °C  
 Electrical connection: Terminal box  
 Number of blades: 7  
 Protection class: IP54  
 Motor protection: thermal contact  
 Blades: High Performance Composite Material, uncoated,  
 Rotor: Aluminium, 1 coat paint, jet black  
 Conformity: CE  
**ErP-data**  
 Not subject to the regulations of ErP directive ( $P_i < 125$  W)  
 \* Rated data

### Characteristic curve



Measured in full bell mouth without guard grille in installation type A according to ISO 5801

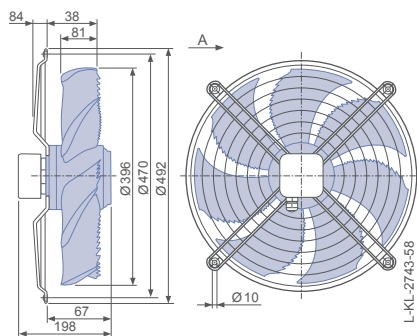
Connection diagram Page 531  
 for airflow direction A 1360-104XB  
 for airflow direction V 1360-104XA

System components Page 430

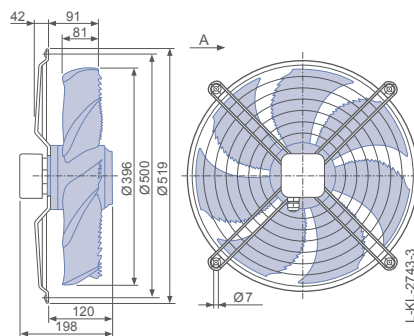
### Dimensions mm

#### Airflow direction A

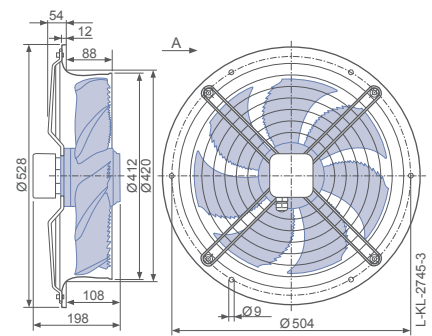
Design W - axial bolted, mounting for short bell mouth, guard grille suction side



Design D - axial bolted, suspension for full bell mouth, guard grille suction side



Design L - round full bell mouth, guard grille suction side





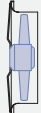
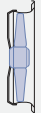


Performance data

Type	Characteristic curve	Voltage	Operating point	Current	Input power	Speed	Suction side sound power level $L_{WA5}$ dB(A)
		U V		I A	$P_1$ W	n min <sup>-1</sup>	
FN040-6E_OF_7P1	I	230	①	0.64	140	930	
		230*	②	0.60*	130*	950*	61
		230	③	0.56	120	970	62
	II	170	④	0.56	95	860	
		170	⑤	0.50	85	900	57
		170	⑥	0.42	70	940	59
	III	135	⑦	0.58	75	690	
		135	⑧	0.50	70	800	55
		135	⑨	0.40	55	900	57
	IV	110	⑩	0.52	55	490	
		110	⑪	0.50	55	610	49
		110	⑫	0.42	46	820	55

\*rated data

Fan ordering information

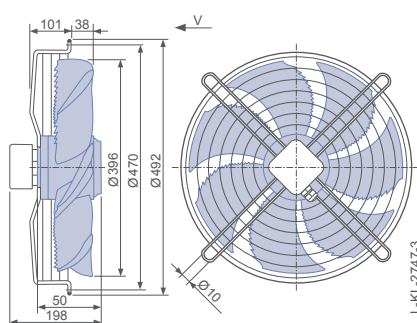
Design	Airflow direction A			Airflow direction V		
	W (guard grille suction side)	D (guard grille suction side)	L (guard grille suction side)	K (guard grille pressure side)	H (guard grille pressure side)	Q (guard grille pressure side)
						
<b>Type Article no.</b>	<b>FN040-6EW.OF.A7P1 155290</b>	<b>FN040-6ED.OF.A7P1 152910</b>	<b>FN040-6EL.OF.A7P1 152911</b>	<b>FN040-6EK.OF.V7P1 152915</b>	<b>FN040-6EH.OF.V7P1 152914</b>	<b>FN040-6EQ.OF.V7P1 152916</b>
Weight kg	5.70	5.10	7.80	5.50	7.80	8.70

Control technology

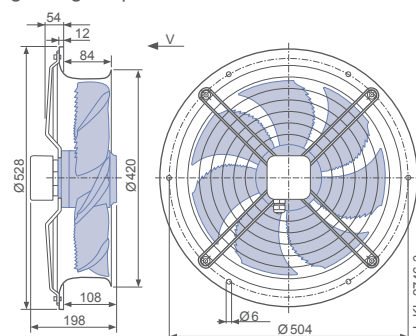
<p>Frequency inverters Control 1~</p>  <p>Page 474</p>	<p>Motor protection units 1~</p>  <p>Page 518</p>	<p>Electronic voltage controllers 1~</p>  <p>Page 492</p>
---	--	--

Airflow direction V

Design K - axial bolted, mounted for short bell mouth, guard grille pressure side



Design H - pipe sockets with a flange, guard grille pressure side



Design Q - square full bell mouth, guard grille pressure side

