

Movement by Perfection



The Royal League in **ventilation**, control and drive technology



Product documentation

Type
FN045-4EK.2F.V7P2

Article number
141715

Product documentation

Customer

Project

Type
FN045-4EK.2F.V7P2

Article number
141715



Contents

1.	Product specification	3
2.	Characteristic curve	4
3.	Drawing	5
4.	Connection diagram	7
5.	EU-Declaration of conformity	8

1. Product specification

Technical data

Article number	141715
Type	FN045-4EK.2F.V7P2
Designation	Axial fan with sickle blades
Rated values	1~230V±10% 50Hz P ₁ 390W 1.75A ΔI=10% 1290/min 7.0uF/400V PsF max.100PA 55°C
Electrical connection	Terminal box K05
Min. operating temperature °C	-25***
Mounting type terminal box	Mounted on Stator
Type of protection	IP54
Thermal class	THCL155
Connection diagram	1360-104XA
Rating plate	1x fixed
Fitting position	H/Vu/Vo
Motor protection	thermal contact
Impregnation	Moisture and hot climate protection
Quality of bearings	ball bearing with long-time lubrication
Material Rotor	Aluminium
Painting rotor	Rotor 1 coat painted
colour rotor	RAL 9005 (jet black)
Material blades	High Performance Composite Material
Painting impeller	unpainted
Colour blades	black
Guard grille type	ring grill
Control	--
Painting mot.suspens	Motor suspension powder-coated consistency class 2
colour suspension	RAL 9005 (jet black)
Weight kg	6,60
ErP Data	Efficiency η_{statA} : 27,3 % Efficiency grade: $N_{\text{actual}} = 36,2 / N_{\text{target}} = 36^*$ *ErP 2013* Does not comply with the stipulations of the ErP regulations

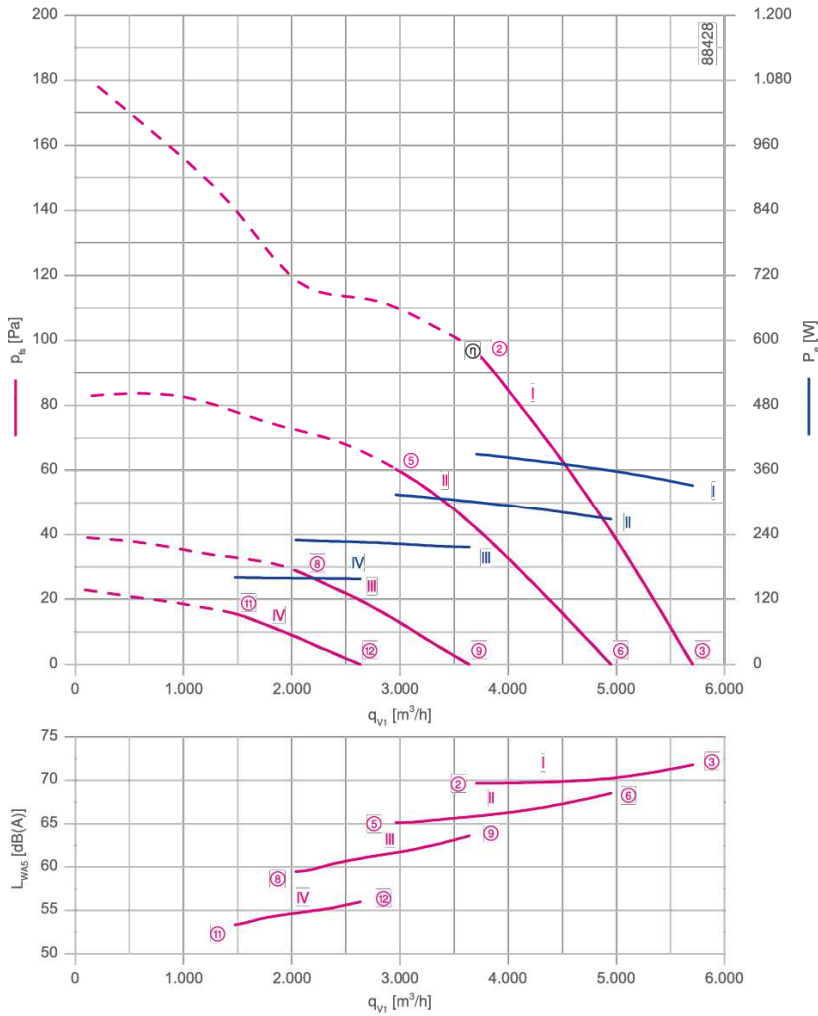
*** Occasional operation $\leq -20^{\circ}\text{C}$ and in consideration of lowest temperature according to product documentation permissible. For cooling applications with continuous operation $\leq -20^{\circ}\text{C}$ cold design on request.

2. Characteristic curve

Characteristic curve

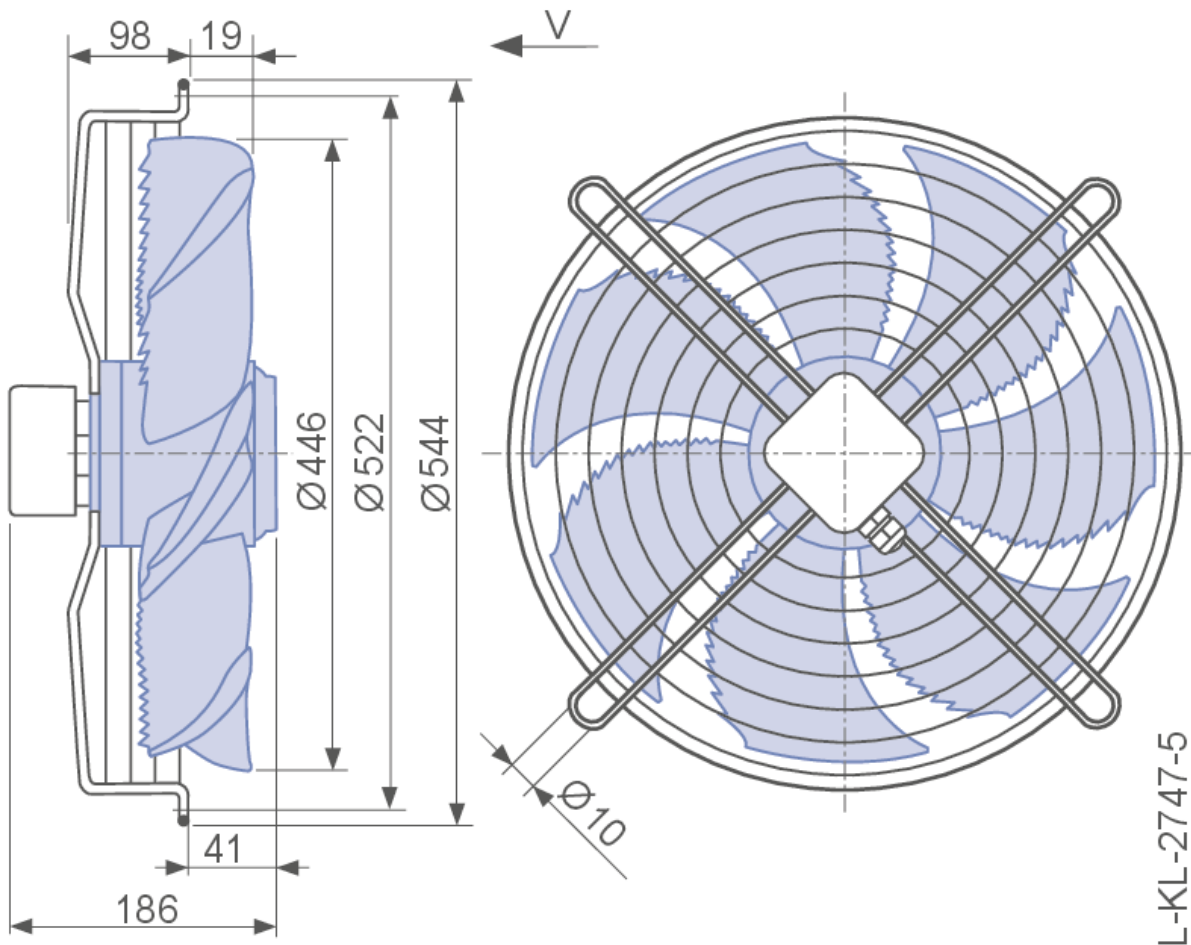
Frequency: 50 Hz

Measured in full nozzle without guard grille in installation type A according to ISO 5801.

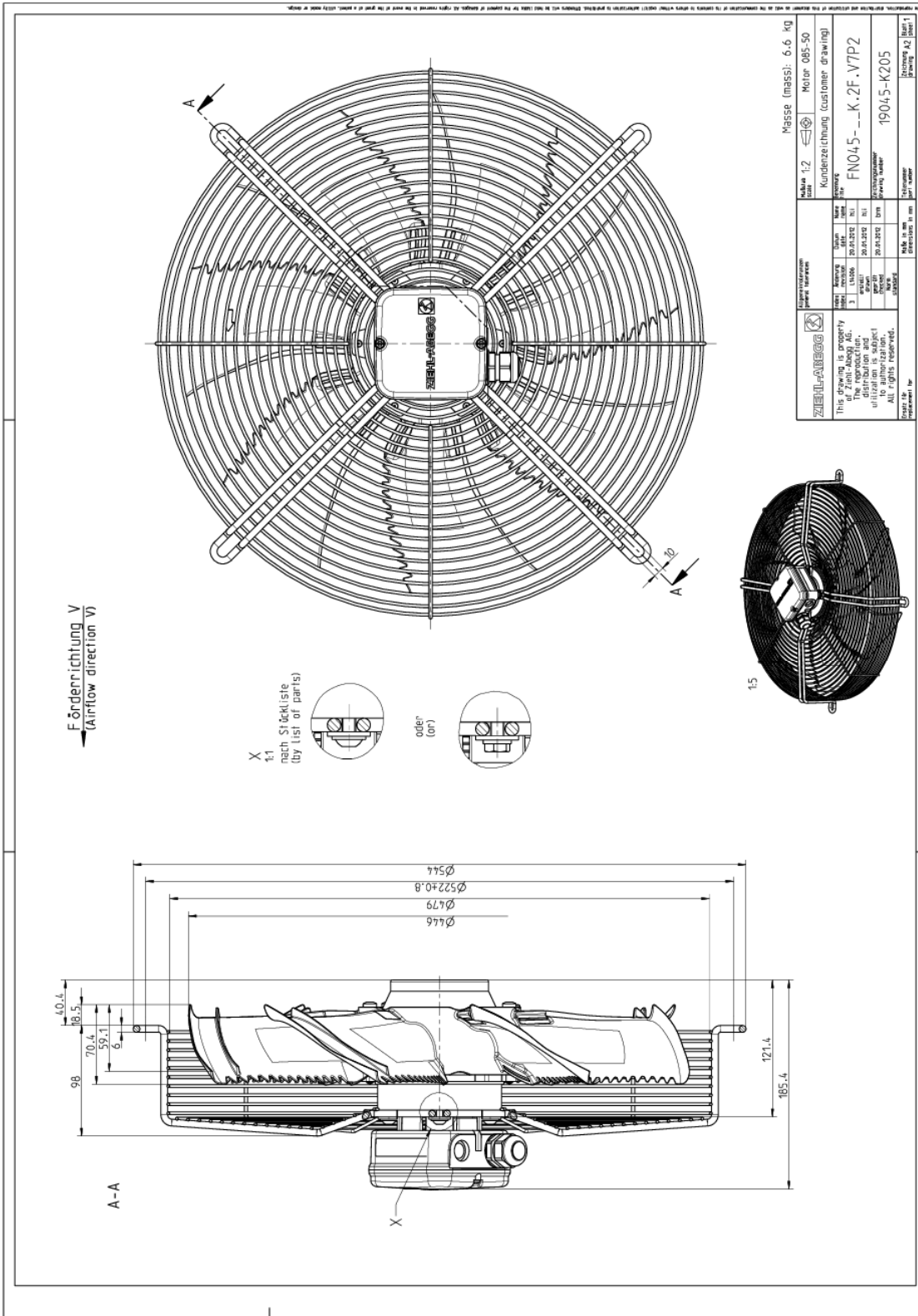


Operating point		②	③	⑤	⑥	⑧	⑨	⑪	⑫
Characteristic curve		I	I	II	II	III	III	IV	IV
Connection		L	L	L	L	L	L	L	L
Voltage	V	230	230	170	170	135	135	110	110
Input power	W	390	330	320	270	230	220	160	160
Current	A	1,75	1,50	1,90	1,60	1,75	1,65	1,55	1,50
Speed	min ⁻¹	1290	1340	1030	1170	710	870	530	630
Suction side sound power level	dB(A)	70	72	65	69	60	64	53	56

3. Drawing



The Royal League Die Königsklasse



Dimensions in mm
Shown drawing is just to show the dimensions of the fan.

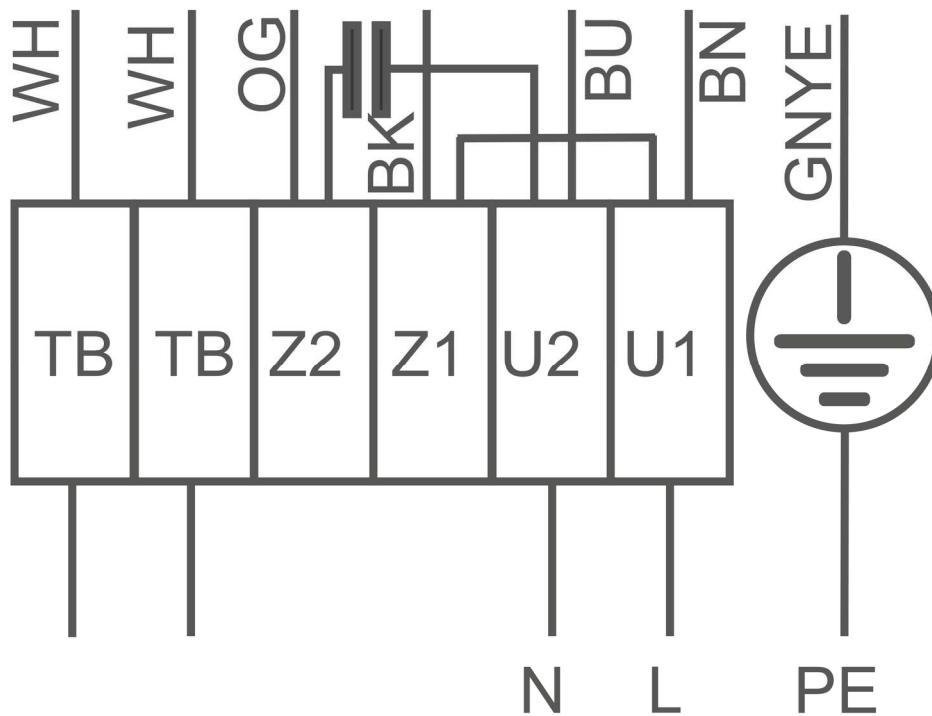
4. Connection diagram

1360-104XA

1~Motor with capacitor and thermostatic switch (if built in).

- BN brown
- BU blue
- BK black
- OG orange
- WH white
- GNYE green-yellow

Clockwise rotation



5. EU-Declaration of conformity



The Royal League in ventilation, control and drive technology

Intelligent control technology for any application

ZIEHL-ABEGG system capabilities:
Everything from a single source – perfectly matched for optimal performance

Please contact us. We would be pleased to design an individual solution for your requirements.

We would like to welcome you on our worldwide exhibitions. Please find our next exhibitions [here](#).