

Movement by Perfection



The Royal League in ventilation, control and drive technology



Product documentation

Type
FN045-4EW.2F.A7P2

Article number
141711

Product documentation

Customer

ZIEHL-ABEGG Contact

Rita Sang

Tel.

rita.sang@ziehl-abegg.com.cn

Project

ZIEHL-ABEGG Subsidiary

China

ZIEHL-ABEGG Mechanical
and Electrical Equipment (Shanghai)
Co. Ltd.

No. 65 Hong Mu Dan Road

Xinbang Town

Songjiang District

SHANGHAI 201605

CHINA

Phone +86 21 57893991

Fax +86 21 57893932

www.ziehl-abegg.cn

info@ziehl-abegg.com.cn

Type

FN045-4EW.2F.A7P2

Article number

141711



Contents

1.	Product specification - Technical data	3
2.	Characteristic Curve	4
3.	Drawing	6
4.	Connection diagram	7

1. Product specification - Technical data

Article number	141711
Type	FN045-4EW.2F.A7P2
Designation	Axial fan with sickle blades
Rated values	1~230V±10% 50Hz P ₁ 390W 1.75A ΔI=10% 1290/min 7.0uF/400V PsF max.100Pa 55°C
Electrical connection	Terminal box K05
Min. operating temperature °C	-25***
Mounting type terminal box	Mounted on Stator
Type of protection	IP54
Thermal class	THCL155
Connection diagram	1360-104XB
Rating plate	1x fixed
Fitting position	H/Vu/Vo
Motor protection	thermal contact
Impregnation	Moisture and hot climate protection
Quality of bearings	ball bearing with long-time lubrication
Material Rotor	Aluminium
Painting rotor	Rotor 1 coat painted
colour rotor	RAL 9005 (jet black)
Material blades	High Performance Composite Material
Painting impeller	unpainted
Colour blades	black
Guard grille type	ring grill
Control	--
Painting mot.suspens	Motor suspension powder-coated consistency class 2
colour suspension	RAL 9005 (jet black)
Weight kg	6,30
ErP Data	Efficiency η_{statA} : 27,3 % Efficiency grade: $N_{actual} = 36,2 / N_{target} = 36^*$ *ErP 2013* Does not comply with the stipulations of the ErP regulations

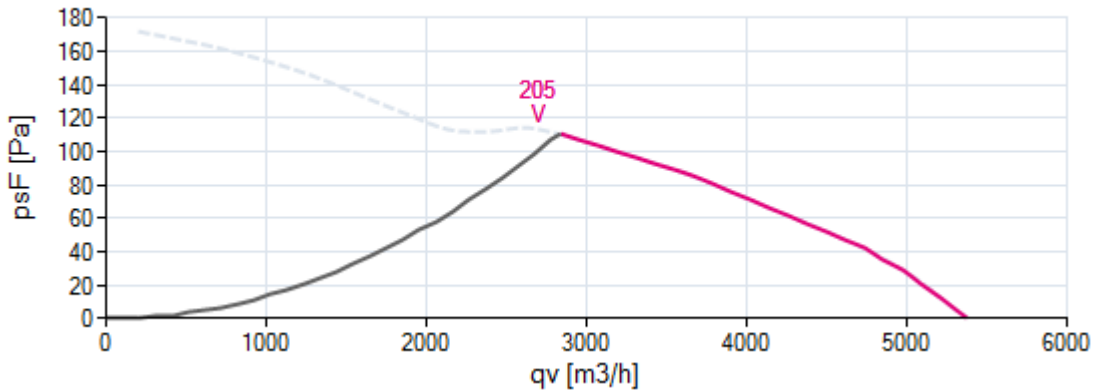
2. Characteristic Curve

FN045-4EW.2F.A7P2

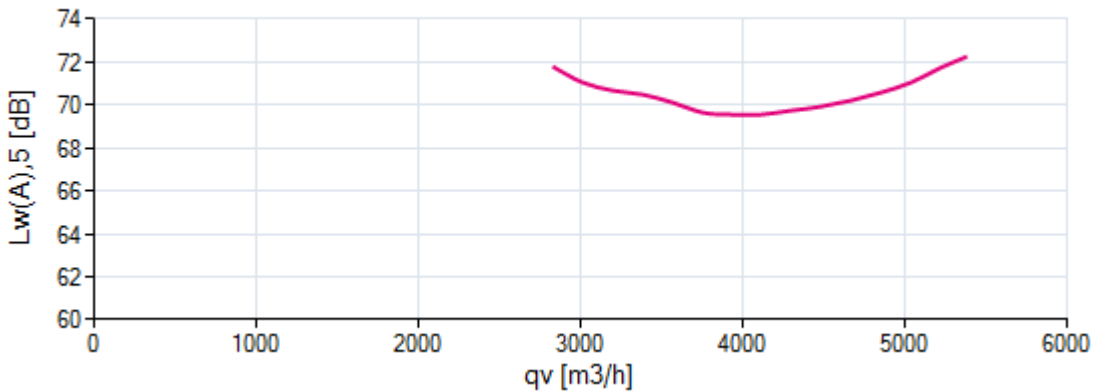
1~ 230V 50Hz

Messdichte 1,16

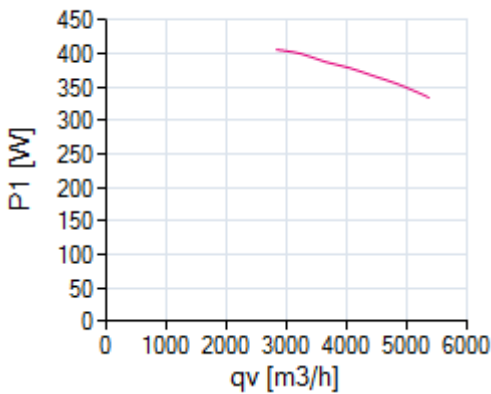
Air performance



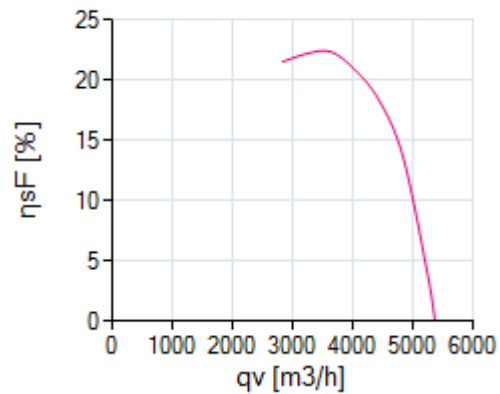
Acoustics



Power input



Efficiency



88923

Please note: It's not allowed to use this fan in the stall area!*

*In doubt please ask your responsible ZIEHL-ABEGG sales contact.

Article number
141711

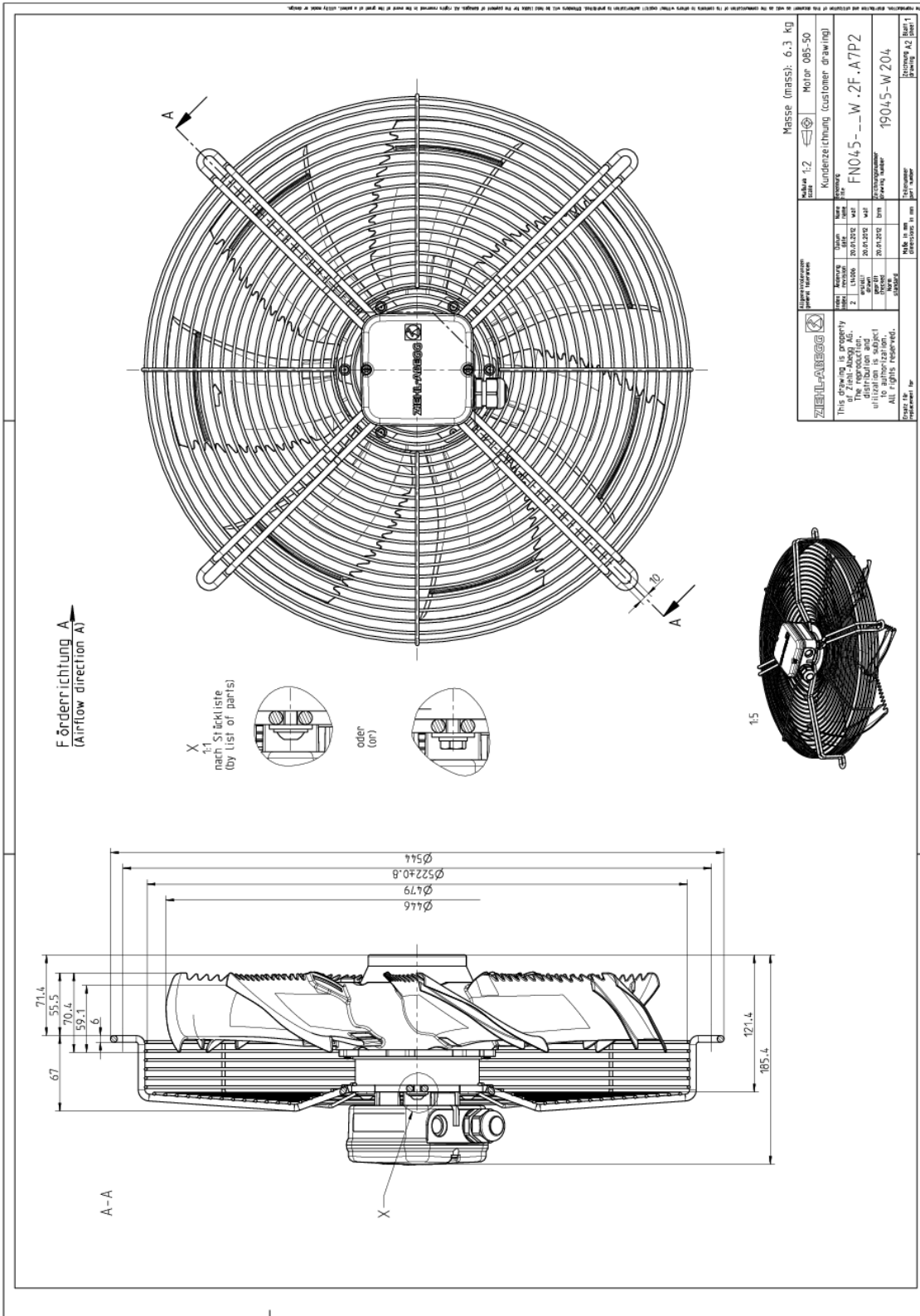
The Royal League

Die Königsklasse

Data of operating point

frequency (f_{BP})	50	Hz
mains supply	1~ 230V 50Hz	
guard grille	no	

3. Drawing



Dimensions in mm
Shown drawing is just to show the dimensions of the fan.

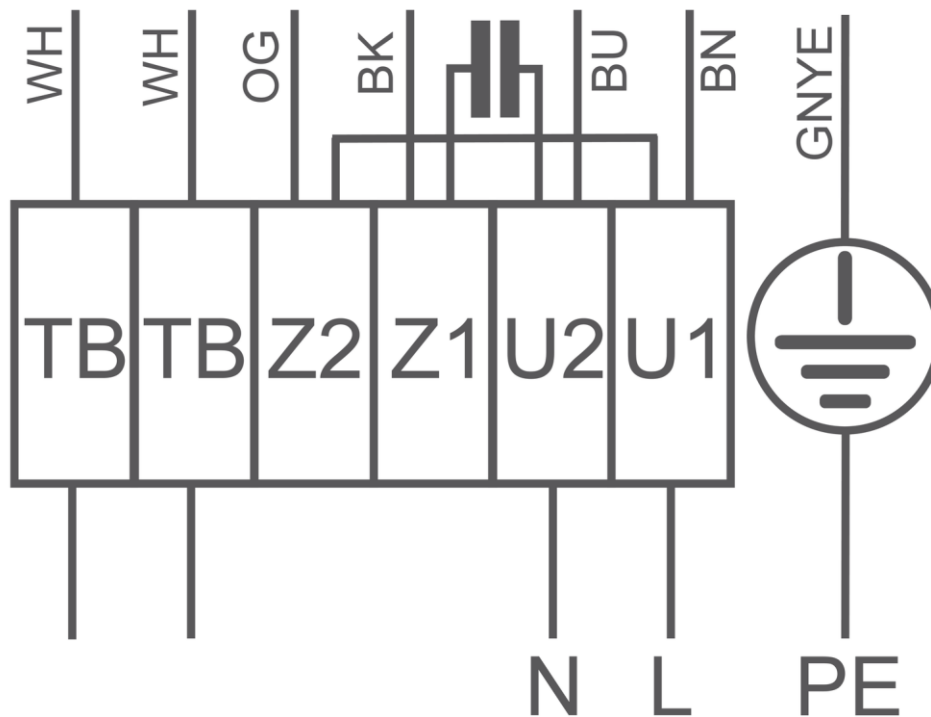
4. Connection diagram

1360-104XB

1~Motor with capacitor and thermostatic switch (if built in).

BN brown
BU blue
BK black
OG orange
WH white
GNYE green-yellow

Counter Clockwise rotation





The Royal League in ventilation, control and drive technology

Intelligent control technology for any application

ZIEHL-ABEGG system capabilities:

Everything from a single source – perfectly matched for optimal performance

Please contact us. We would be pleased to design an individual solution for your requirements.

We would like to welcome you on our worldwide exhibitions. Please find our next exhibitions [here](#).