







Performance data

| Type | Characteristic curve | Voltage | Operating point | Current | Input power | Speed | Suction side sound power level |
|-----------------|----------------------|---------|-----------------|---------|---------------------|------------------------|--------------------------------|
| | | U V | | I A | P ₁ W | n min ⁻¹ | L _{WA5} dB(A) |
| FN045-6E_2F_7P3 | I | 230 | ① | 0.56 | 130 | 570 | |
| | | 230* | ② | 0.50* | 120* | 700* | 54 |
| | | 230 | ③ | 0.46 | 100 | 790 | 57 |
| | II | 170 | ④ | 0.44 | 75 | 380 | |
| | | 170 | ⑤ | 0.42 | 75 | 480 | 45 |
| | | 170 | ⑥ | 0.40 | 70 | 590 | 49 |
| | III | 135 | ⑦ | 0.35 | 48 | 280 | |
| | | 135 | ⑧ | 0.35 | 46 | 350 | 40 |
| | | 135 | ⑨ | 0.34 | 46 | 430 | 42 |
| | IV | 110 | ⑩ | 0.29 | 32 | 220 | |
| | | 110 | ⑪ | 0.29 | 32 | 270 | 37 |
| | | 110 | ⑫ | 0.29 | 32 | 330 | 38 |

*rated data

Fan ordering information

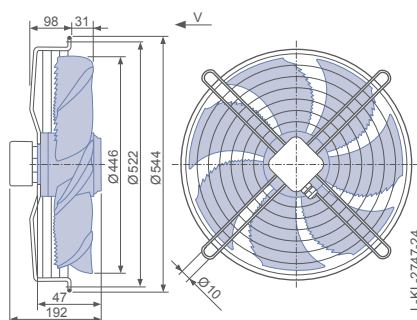
| Airflow direction A | | | Airflow direction V | | | |
|-------------------------|---|---|---|---|---|---|
| Design | W (guard grille suction side) | D (guard grille suction side) | L (guard grille suction side) | K (guard grille pressure side) | I (guard grille pressure side) | H (guard grille pressure side) |
| |  |  |  |  |  |  |
| Type Article no. | FN045-6EW.2F.A7P3 160038 | FN045-6ED.2F.A7P3 160036 | FN045-6EL.2F.A7P3 160037 | FN045-6EK.2F.V7P3 160042 | FN045-6EI.2F.V7P3 160040 | FN045-6EH.2F.V7P3 160041 |
| Weight kg | 6.30 | 6.10 | 9.50 | 6.50 | 6.10 | 9.50 |

Control technology

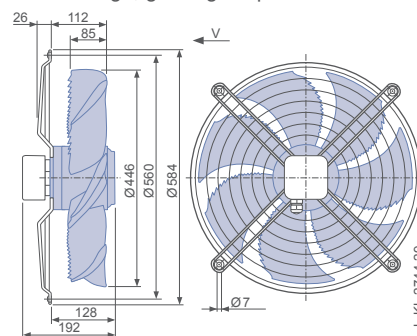
| | | |
|---|--|--|
| <p>Frequency inverters Control 1~</p>  <p>Page 474</p> | <p>Motor protection units 1~</p>  <p>Page 518</p> | <p>Electronic voltage controllers 1~</p>  <p>Page 492</p> |
|---|--|--|

Airflow direction V

Design K - axial bolted, mounted for short bell mouth, guard grille pressure side



Design I - axial bolted, mounting for bell mouth flange, guard grille pressure side



Design H - pipe sockets with a flange, guard grille pressure side

