

1. Product specification

Technical data

Article number	167964
Type	FN050-6EK.4F.V7P3
Designation	Axial fan with sickle blades
Rated values	1~230V±10% 50Hz P ₁ 270W 1.25A ΔI=15% 900/min 5.0uF/400V 70°C 1~230V±10% 60Hz P ₁ 380W 1.75A ΔI=0% 900/min 5,0uF/400V 70°C
Electrical connection	Terminal box K62
Min. operating temperature °C	-25
Mounting type terminal box	Mounted on Stator
Type of protection	IP54
Thermal class	THCL155
Connection diagram	1360-104XA
Rating plate	1x fixed
Fitting position	H/Vu/Vo
Motor protection	thermal contact
Impregnation	Moisture and hot climate protection
Quality of bearings	ball bearing with long-time lubrication
Material Rotor	Aluminium
Painting rotor	unpainted
Material blades	Aluminium
Painting impeller	unpainted
Guard grille type	ring grille
Painting mot.suspens	Motor suspension powder-coated consistency class 2
colour suspension	RAL 9005 (jet black)
Weight kg	10,60
ErP Data	Efficiency η_{statA} : 30.4 % Efficiency: $N_{\text{actual}} = 40.6 / N_{\text{target}} = 40^*$ *ErP 2015

2. Characteristic curve

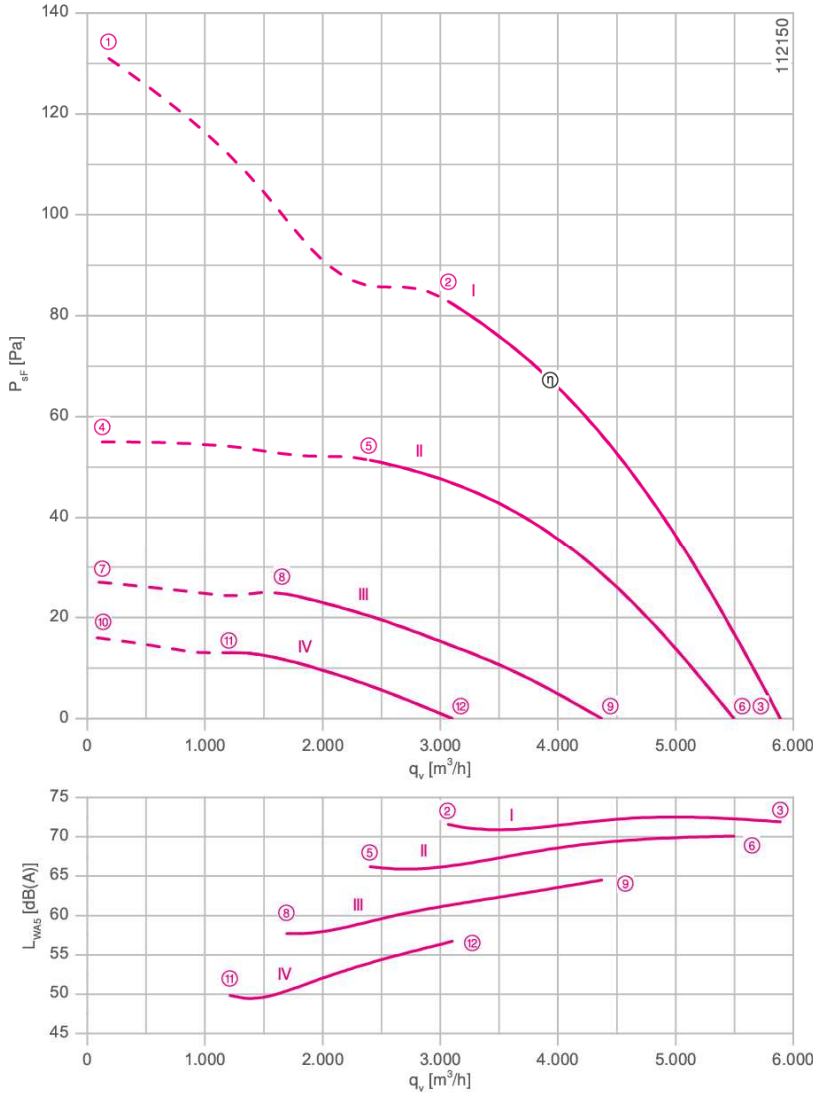
Kennliniexx123

UmbruchKL

Characteristic curve

Frequency: 50 Hz

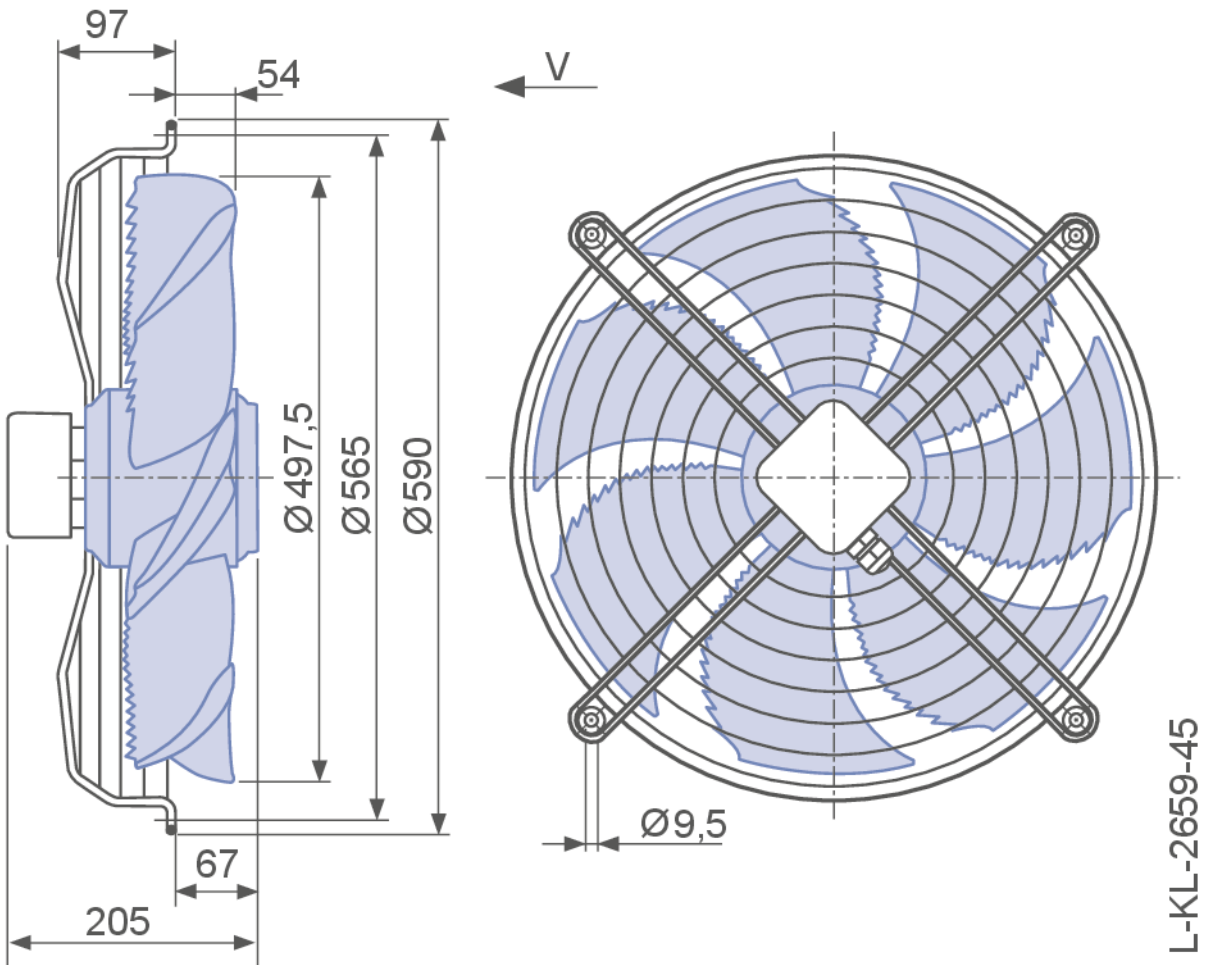
Measured in full bell mouth without guard grille in installation type A according to ISO 5801.



I = 1~230 V L, II = 1~170 V L, III = 1~135 V L, IV = 1~110 V L

Operating point		①	②	③	④	⑤	⑥	⑦	⑧	⑨	⑩	⑪	⑫
Characteristic curve		I	I	I	II	II	II	III	III	III	IV	IV	IV
Connection		L	L	L	L	L	L	L	L	L	L	L	L
Voltage	V	230	230	230	170	170	170	135	135	135	110	110	110
Input power	W	340	270	200	240	210	160	150	150	140	100	100	100
Current	A	1,60	1,25	0,94	1,60	1,40	0,98	1,35	1,30	1,15	1,10	1,10	1,05
Speed	min^{-1}	830	900	940	550	710	880	380	490	710	290	360	500

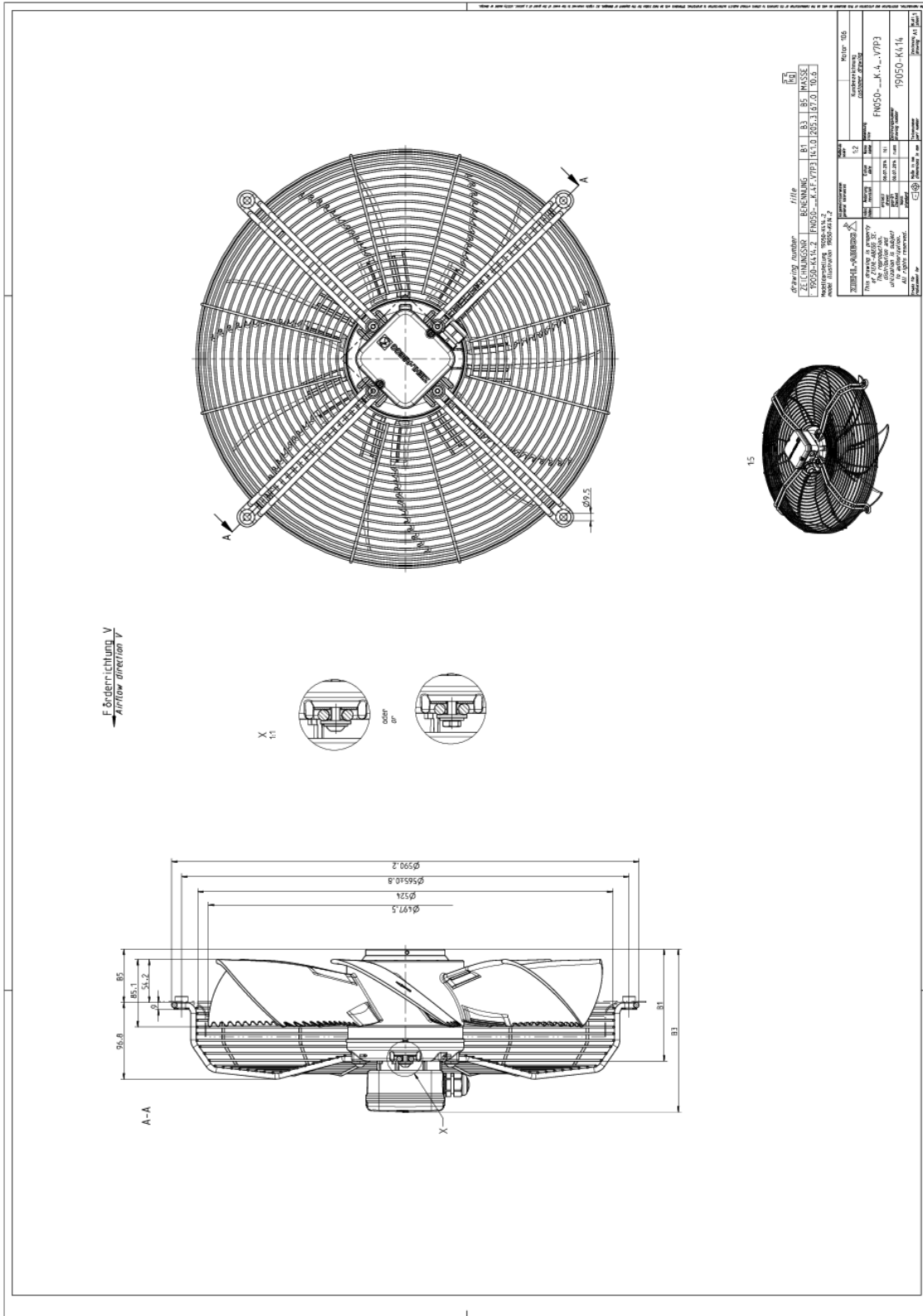
3. Drawing



Hata! Belgede belirtilen stilde metne
Hata! Belgede belirtilen stilde metne

The Royal League

Die Königsklasse



Dimensions in mm
Shown drawing is just to show the dimensions of the fan.

4. Connection diagram

1360-104XA

1~Motor with capacitor and thermostatic switch (if built in).

- U1 brown
- U2 blue
- Z1 black
- Z2 orange
- TB white

Clockwise rotation

