

# EconoMini™ BONUS



## Performance



21 dba

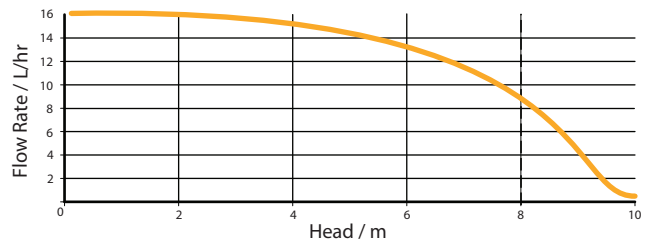
Max flow	Max head	Max suction lift
14 litres/hour	8 metres	8 metres

Self-priming and running silent when either wet or dry, the EconoMini™ Bonus condensate removal pumps provides installers complete flexibility when it comes to positioning the pump. With a compact, lightweight package the EconoMini™ Bonus can retrofit around existing pipe work or cornering trunking as well as into the ceiling void.

## Sensing Options

**EconoMini™ pump available with:**

Temperature sensor	CR Plug
 X87-517	 X87-516



## Why BlueDiamond® ?



**Run Dry**

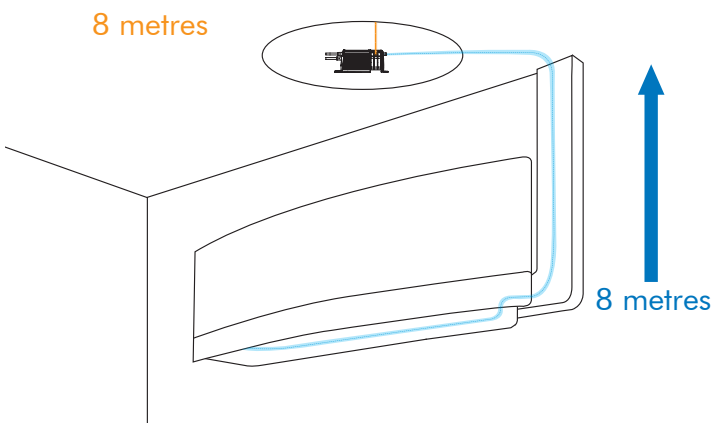
All of the BlueDiamond® pumps have the ability to run dry without burning out. Enabling them to remove any liquids, preventing organic growth inside the tubing.



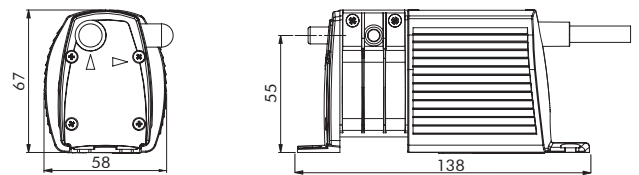
**Whisper Quiet**

Quiet in all stages of operation and not only when set to quiet mode or relying on a soft start setting.

## Installation Options



## Dimensions (mm)



The EconoMini™ Bonus can be mounted in any orientation up to 5m away from the air conditioning unit.

